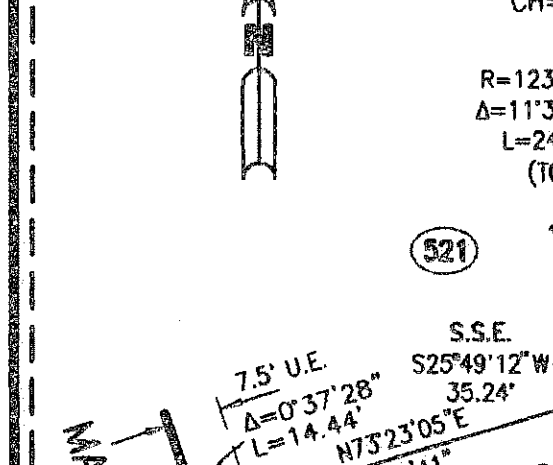
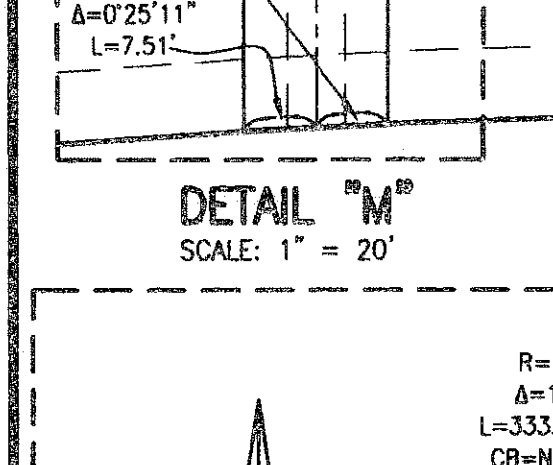
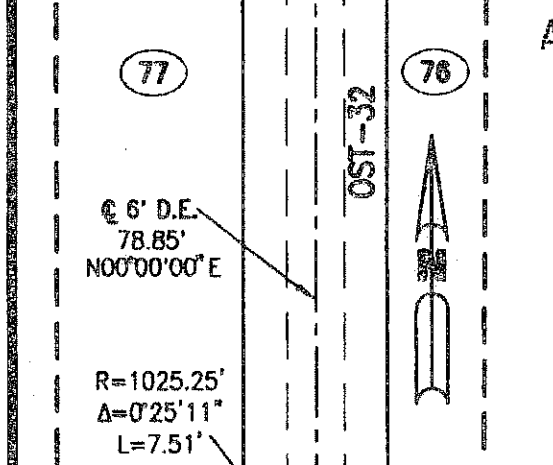
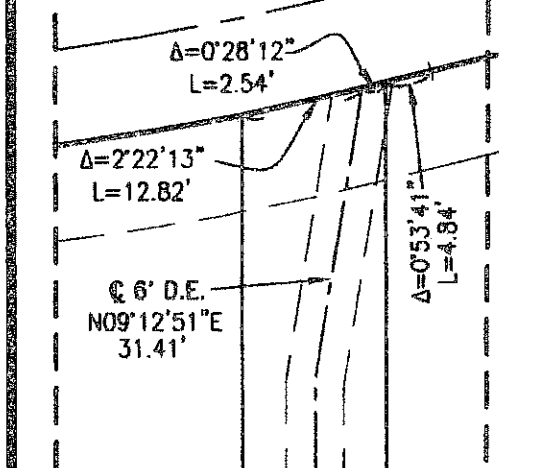
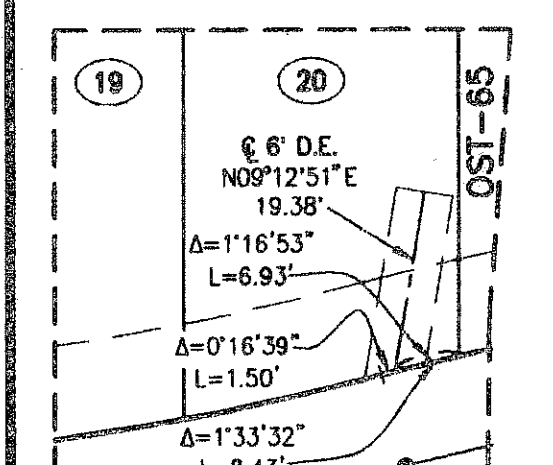
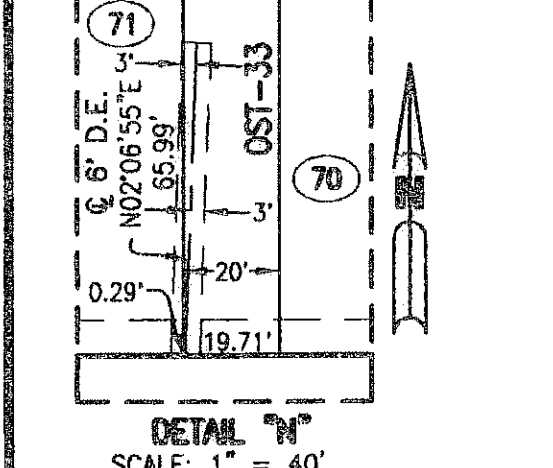
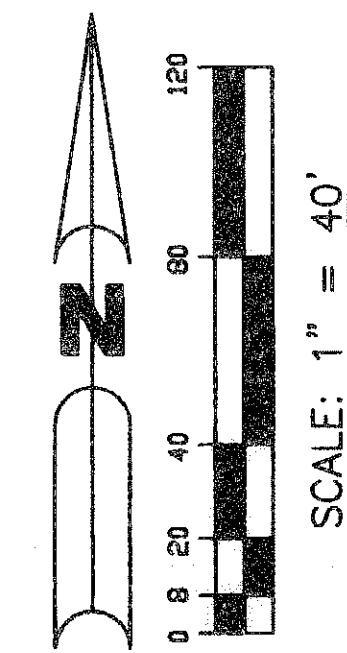
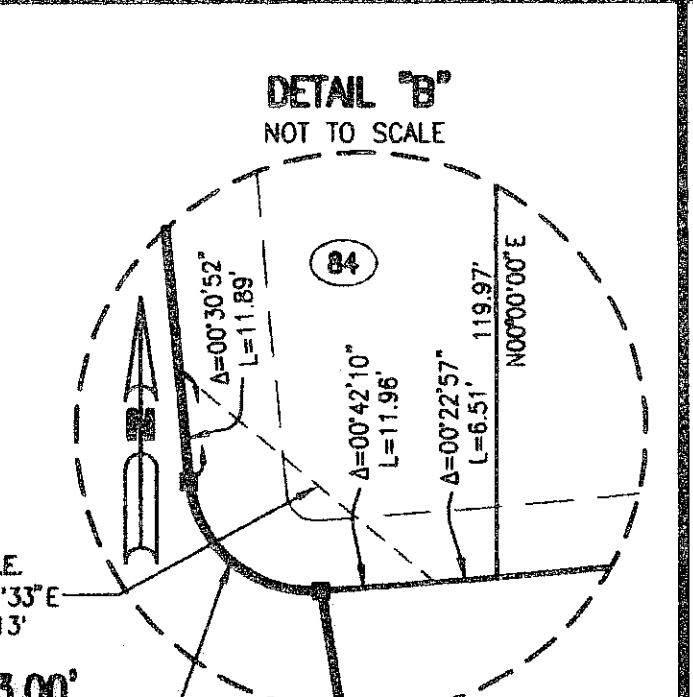
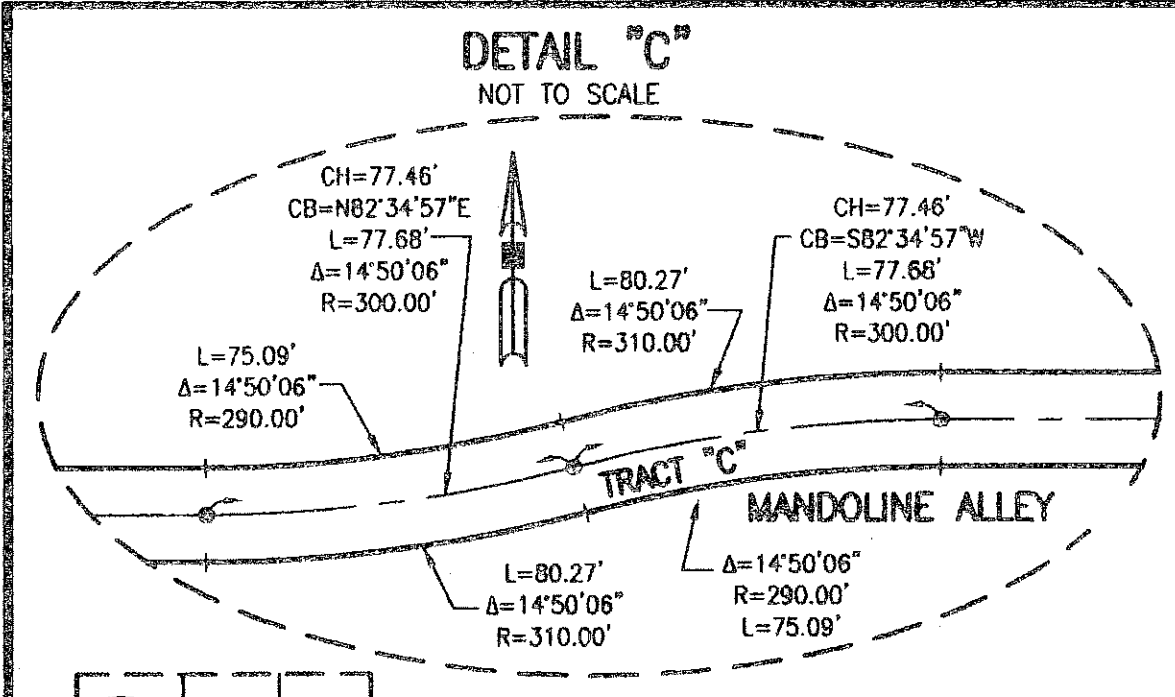


# MALLORY CREEK AT ABACOA - PLAT TWO

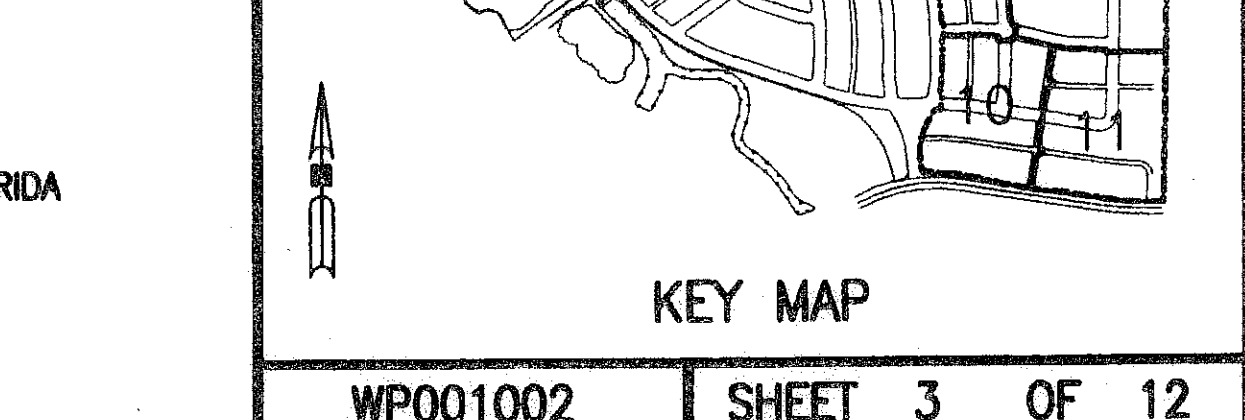
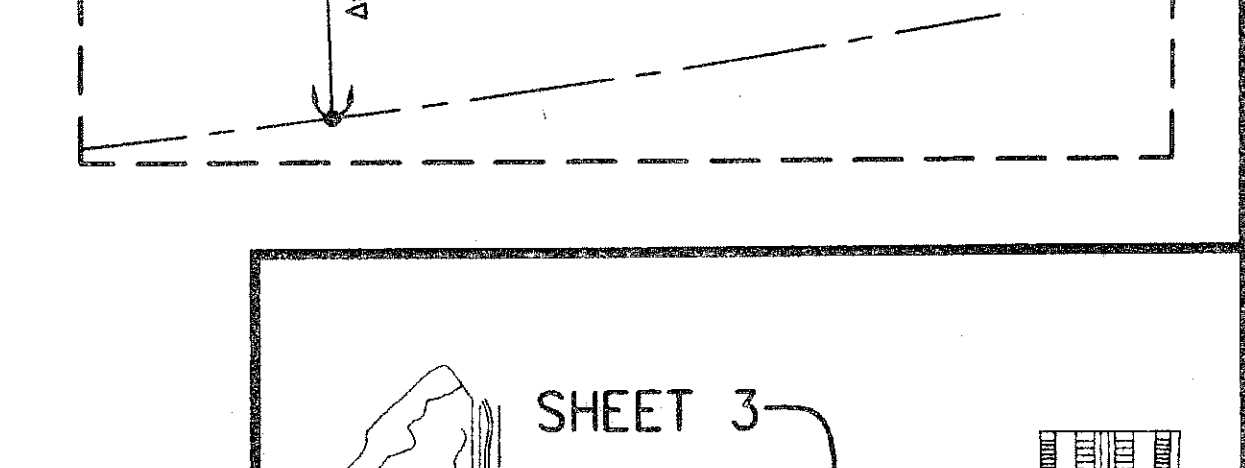
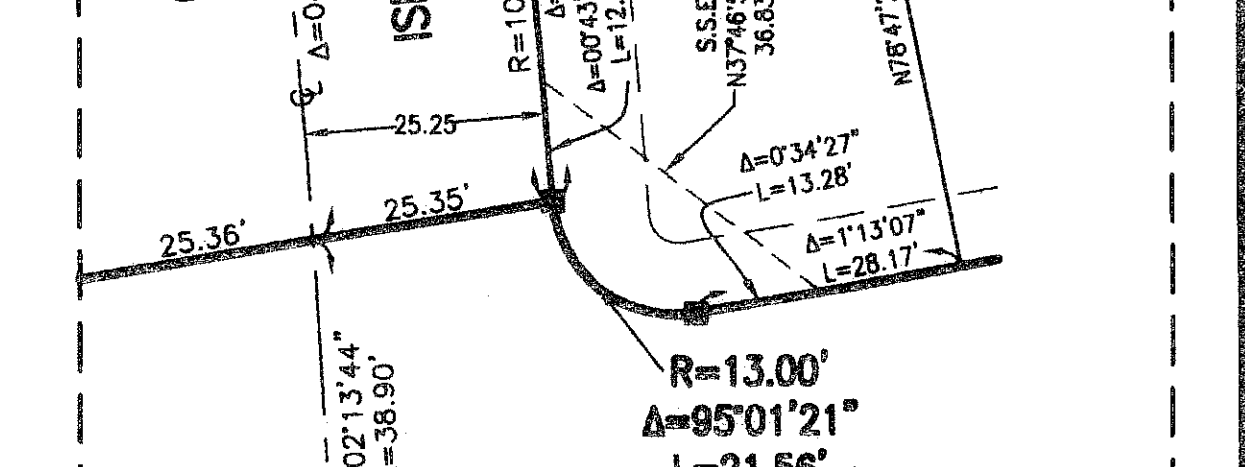
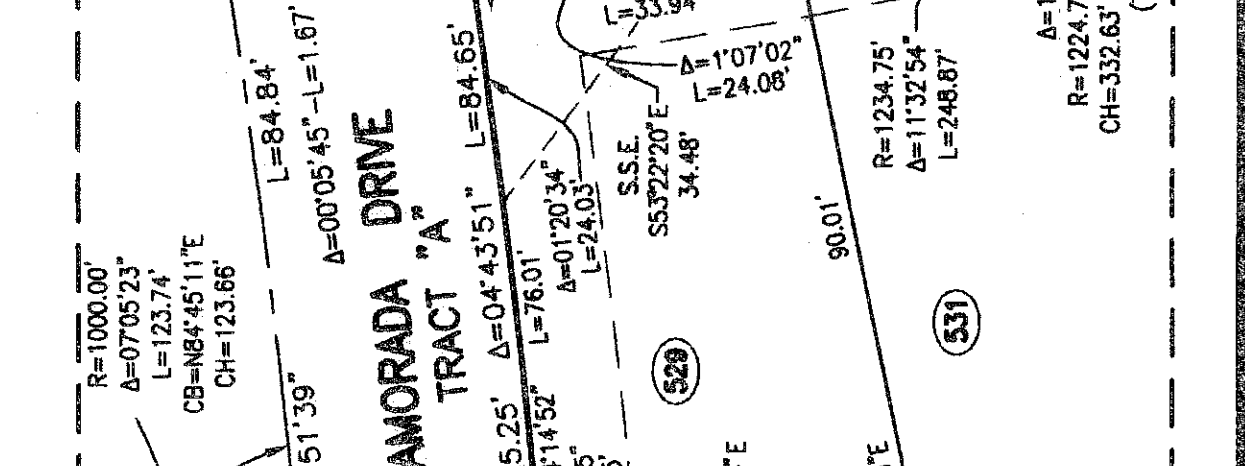
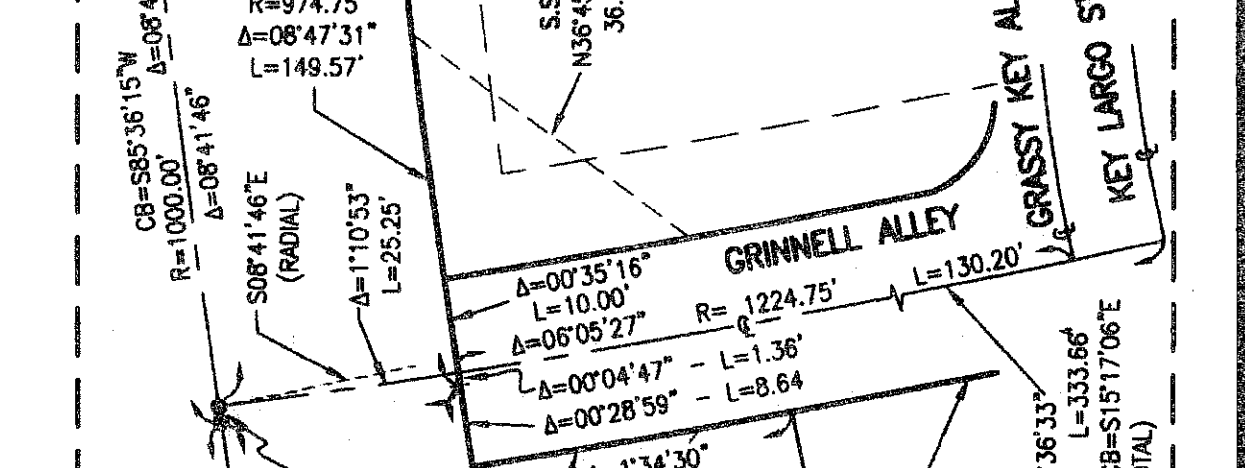
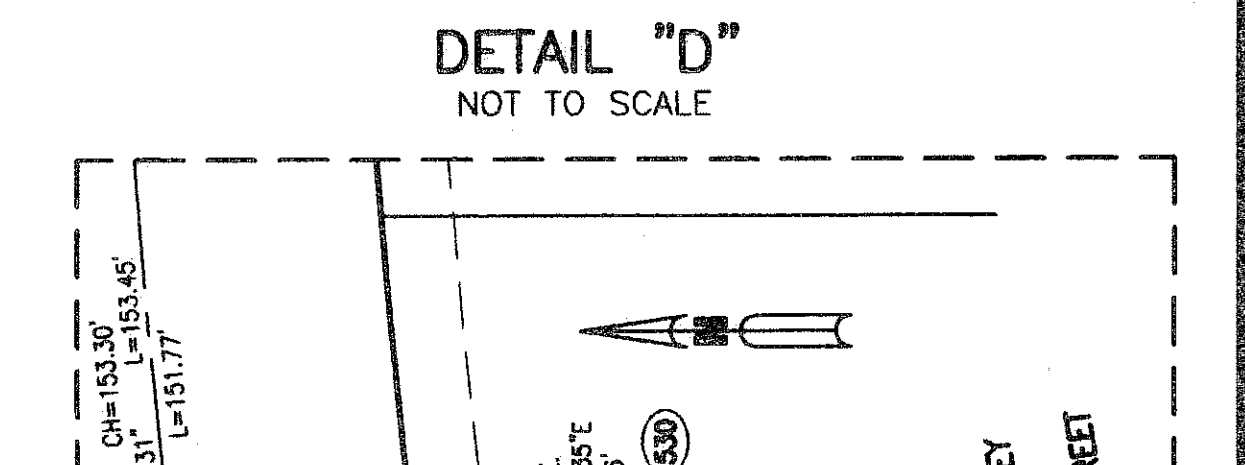
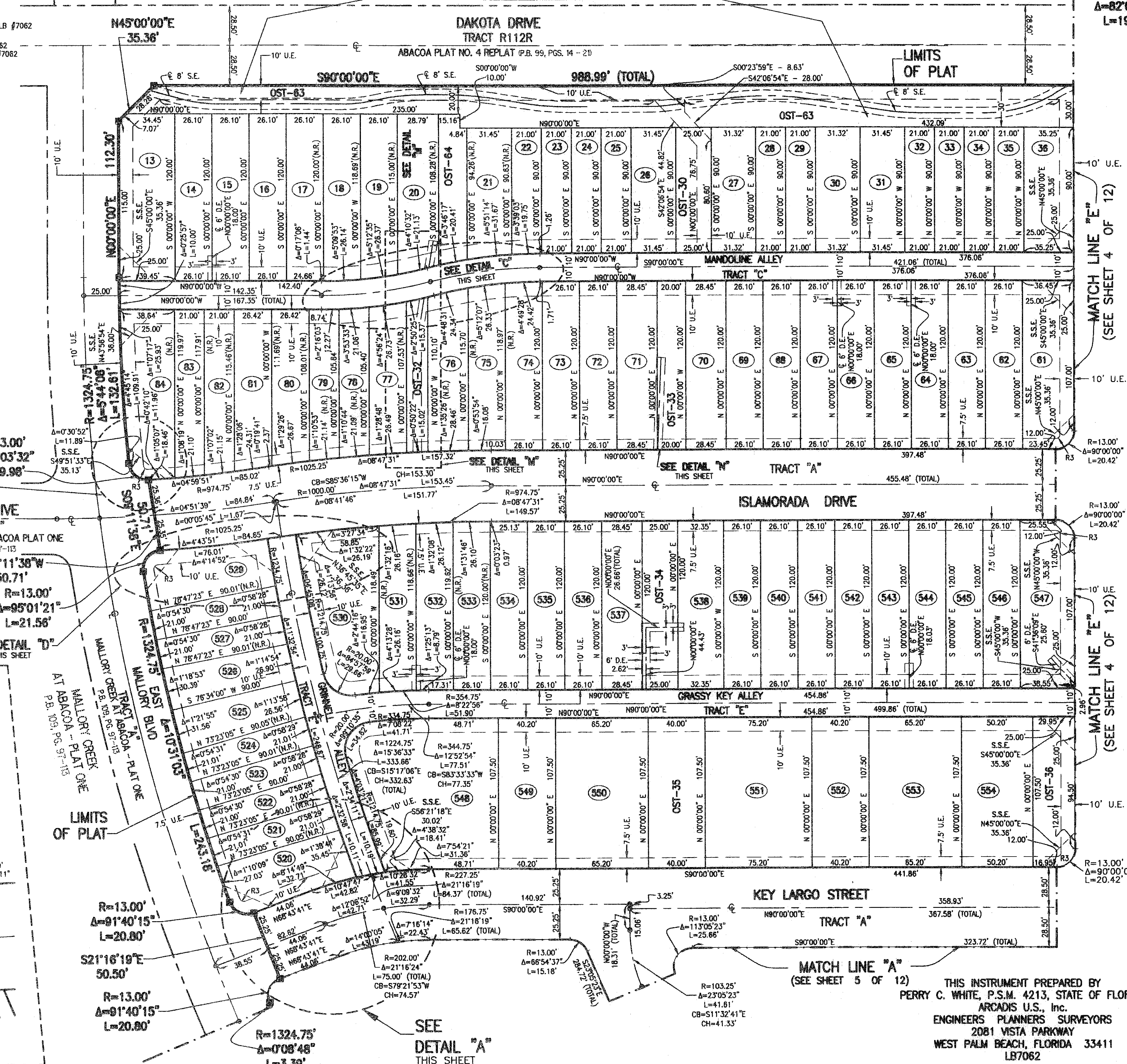
BEING A REPLAT OF DEV-1 TRACT AND DEV-2 TRACT ACCORDING TO MALLORY CREEK AT ABACOA - PLAT ONE AS RECORDED IN PLAT BOOK 109, PAGES 97 THROUGH 113, OF THE PUBLIC RECORDS OF PALM BEACH COUNTY, FLORIDA, LYING IN SECTION 14, TOWNSHIP 41 SOUTH, RANGE 42 EAST, TOWN OF JUPITER, PALM BEACH COUNTY, FLORIDA

SHEET 3 OF 12 AUGUST, 2008

14



- LEGEND:**
- - SET PERMANENT REFERENCE MONUMENT, LB #7062
  - - FOUND P.R.M. #26
  - - FOUND PERMANENT CONTROL POINT, LB #7062
  - - FOUND PERMANENT CONTROL POINT, LB #7062
  - R - RADIUS
  - Δ - DELTA ANGLE
  - L - ARC LENGTH
  - C.G. - CENTER OF GRAVITY
  - AC - ACRES
  - BLVD - BOULEVARD
  - CB - CHORD BEARING
  - CD - CHORD DISTANCE
  - CH - CHORD BEARING
  - DE - DEED BOOK
  - D.E. - DRAINAGE EASEMENT
  - I.E. - INGRESS AND EGRESS EASEMENT
  - L.A.E. - LIMITED ACCESS EASEMENT
  - L.D.E. - LANDSCAPE EASEMENT
  - LB - LICENSED BUSINESS
  - (N.R.) - NON-RADIAL
  - N.T.S. - NOT TO SCALE
  - O.R.B. - OFFICIAL RECORD BOOK
  - OST - OPEN SPACE TRACT
  - P.B. - PLAT BOOK
  - P.D.E. - PRIVATE DRAINAGE EASEMENT
  - PGS. - PAGES
  - P.I. - POINT OF INTERSECTION
  - P.L.S. - PROFESSIONAL LAND SURVEYOR
  - P.O.B. - POINT OF BEGINNING
  - P.O.C. - POINT OF COMMENCEMENT
  - P.R.C. - POINT OF REVERSE CURVATURE
  - P.R.M. - PERMANENT REFERENCE MONUMENT
  - P.U.E. - PRIVATE UTILITY EASEMENT
  - R3 - 3.00' UTILITY EASEMENT RADIUS
  - (RAD) - RADIAL
  - (R.F.) - RADIAL TO FRONT LOT LINE
  - (R.R.) - RADIAL TO REAR LOT LINE
  - R/W - RIGHT-OF-WAY
  - SE - SIDEWALK EASEMENT
  - S.S.E. - SAFE SIGHT EASEMENT
  - T.S.E. - TEMPORARY SIDEWALK EASEMENT
  - UF - UTILITY EASEMENT



THIS INSTRUMENT PREPARED BY  
PERRY C. WHITE, P.S.M. 4213, STATE OF FLORIDA  
ARCADIS U.S., Inc.  
ENGINEERS PLANNERS SURVEYORS  
2081 VISTA PARKWAY  
WEST PALM BEACH, FLORIDA 33411  
LB7062